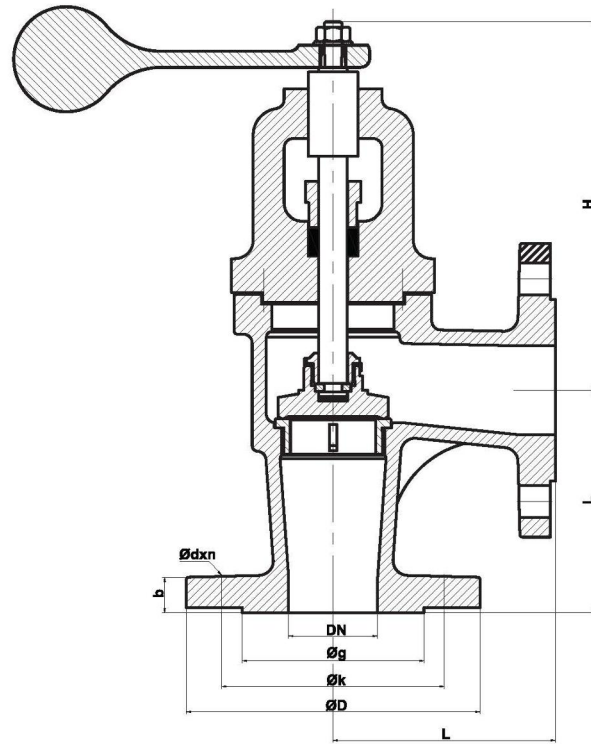


## Dreyn Vanası(Gönye Tip - Ağırıklı) Self Closing Valve(Angle Type - With Counter Weight)



NO	PARÇA ADI	PART NAME	MATERIAL
1	GÖVDE	BODY	GGG 40.3
2	SİT	SEAT	AISI 420
3	MİL	STEM	AISI 420
4	KAPAK	BONNET	GGG 40.3
5	KLAPE	DISC	RG5 / AISI 420
6	RİNG	RING	AISI 420
7	EMNİYET PULU	WASHER SAFETY	AISI 304
8	TESPİT VIDASI	SECURING SCREW	AISI 420
9	BİLYA	BALLS	AISI 304
10	CONTA	GASKET	KLINGRIT
11	SETUSKUR	GRUB SCREW	STEEL
12	SALMASTRA	PACKING	GRAPHITE
13	GLEN	GLAND	GGG40.3
14	T CİVATA	T BOLT	6,8 STEEL
15	CİVATA	BOLT	8.8 STEEL
16	GRESÖRLÜK	LUBRICATING	STEEL
17	AĞIRLIK	WEIGHT	GG25
18	SOMUN & PUL	NUT & WASHER	STEEL

DN	ØD	Øk	Øg	L	b	H	Ødxn	KG
40	150	110	88	115	18	213	18x4	11,5
50	165	125	102	125	20	216	18x4	14
65	185	145	122	145	20	243	18x4	18,5

### UYGULAMA ALANLARI / APPLICATIONS

FUEL OIL, YAĞLAMA YAĞI , YANICI OLMAYAN AKIŞKANLAR  
HİDROLİK AKIŞKAN, DENİZ SUYU VE TATLI SU  
FUEL OIL ,LUBRICATING OIL, NON FLAMMABLE FLUIDS,  
HYDRAULIC FLUID,SEA WATER AND FRESH WATER

ÇALIŞMA ŞARTLARI / WORKING CONDITIONS : DIN 2401  
BAĞLANTILAR / ENDS DIN 1092-2  
ÇALIŞMA SICAKLIĞI /WORKING TEMP -10 / +220 °C  
ÇALIŞMA BASINCI / WORKING PRESSURE : PN16

FACE TO FACE DIMENSIONS TS EN 558-1